



# ADBLUE® / DIESEL EXHAUST FLUID (DEF) INLINE FILTER

PREVENT MAINTENANCE DOWNTIME AND INCREASE PRODUCTIVITY

## BENEFITS

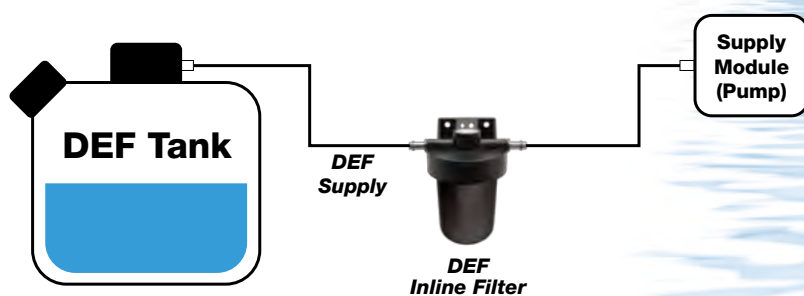
- Extended service intervals
- 5 times more capacity than traditional in tank AdBlue® filters
- Simple to fit and service
- Additional protection for the AdBlue system
- Robust and durable

## FEATURES

- Convenient twist off/twist on feature of filter/bowl minimizes the probability of contaminants falling into filter bowl during replacement
- Provides 98% efficiency at 40 micron particle size
- The Inline filter kit can be only installed on trucks and buses powered by Cummins Euro5 engines with SCR system using Emitec air assisted dosing pump

## INTEGRATION

- Built in mount bracket
- SAE J2044 fluid connections



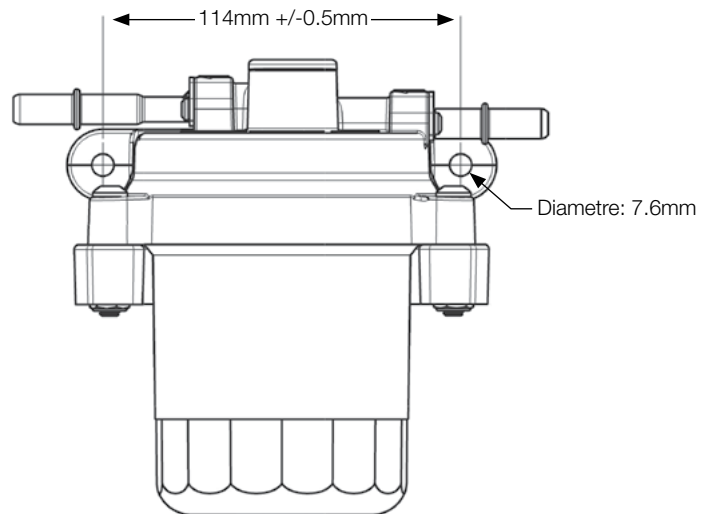
# SPECIFICATIONS

## TECHNICAL DATA

FILTER TYPE	OPERATING TEMPERATURE RATING	WORKING PRESSURE RATING	FLOW RATING	POWER CONSUMPTION (steady state)	PARTICLE REMOVAL EFFICIENCY
NON-HEATED	-5 to 75 °C	- 500 to 500 Mbar	30 Lph @ 10 mBar $\Delta P$ Unloaded (0 gm) 30 Lph @ 25 mBar $\Delta P$ Loaded (50 gm)	N/A	$\geq 98\%$ at 40 $\mu\text{m}$

## MATERIALS OF CONSTRUCTION

Filter, Base	Nylon
Bowl	HDPE
Element	Polypropylene
O-ring	EPDM
Gasket	EPDM
Fittings	Stainless Steel



## Part Number

- Replacement Element Part Number: UF110
- Assembly Part Number: UF111 (UF110 and filterhead)
- Installation Kit Part Number: UK178 (UF111, hose and fittings)